

JOB NAME:

QUANTITY:

ITEM NO.:

PRODUCT NAME:

4" DECK W/ SWIVEL GOOSENECK

MODEL:

□ 26220 WITH 9" SWIVEL GOOSENECK

FEATURES:

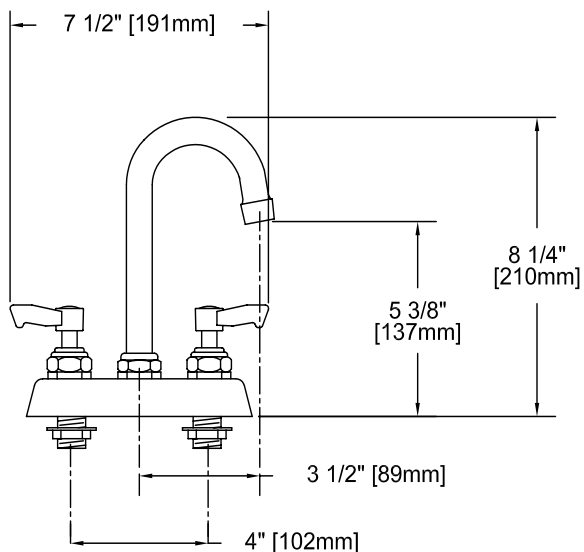
- * 4" DECK MOUNTED
- * 1 1/2" LONG SHANKS WITH LOCK NUTS AND 1/2" NPT THREADS

SYSTEM LIMITS

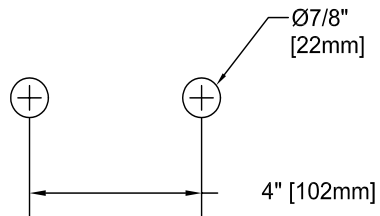
TEMP: 40 F MIN TO 140 F MAX
 PRESSURE 200 PSI MAX STATIC
 2.20 GPM @ 60 PSI

SHIPPING WEIGHT

* 5 LBS



ROUGH IN:



© ANSI/A112.18.1M

Distributed by Fisher Manufacturing Company
 P.O. Box 60 Tulare, CA 93725-0060
 Phone 800-421-6162 FAX 800-8-FAUCET (800-832-8238)